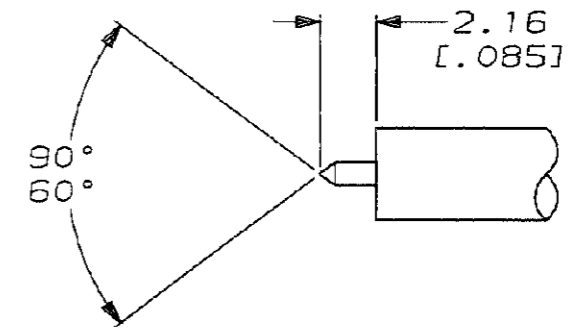
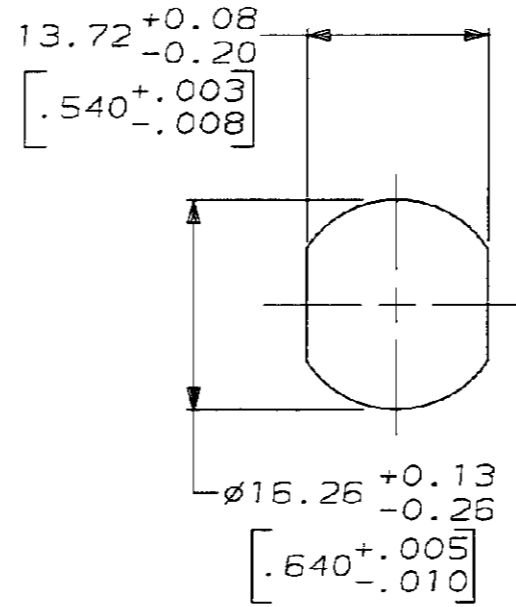
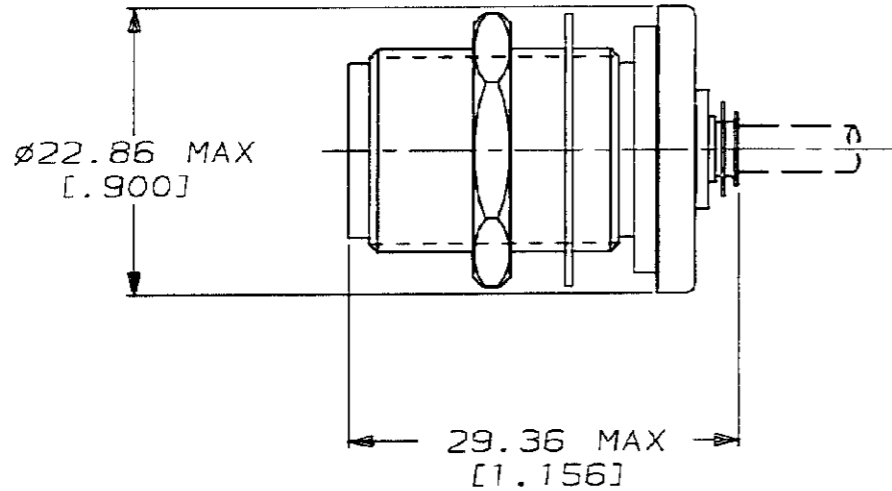


DRAWING MADE IN THIRD ANGLE PROJECTION

THIS DRAWING IS UNPUBLISHED. RELEASED FOR PUBLICATION, 19

© COPYRIGHT 19 BY AMP INCORPORATED. ALL INTERNATIONAL RIGHTS RESERVED.

LOC	DIST	P	F	REVISIONS			DATE	APPD
AJ	16			ZONE	LTR	DESCRIPTION		
					B	REDRWN& OBSOLETE -2 PER AJ-4211	02/07/92	BM



SUGGESTED PANEL CUTOUT
6.35 [0.250] MAX PANEL THICKNESS

RECOMMENDED STRIP LENGTH
SCALE 4:1

OBSOLETE	-	-	-	-	-	-	228658-2
	RG-402/U SEMI RIGID	22132-3	50687-2	1-332004-7	228446-1	228659-1	228658-1
	CABLE	⑤ O-RING QTY=1	④ LOCKWASHER QTY=1	③ JAMNUT QTY=1	② ADAPTOR ASSY QTY=1	① JACK ASSY QTY=1	PART NUMBER

DO NOT SCALE PRINT.
UNLESS SPECIFIED
DIMENSIONS IN mm [INCHES]
TOLERANCES ON:
2 PLC DEC ± 0.13 [0.005]
3 PLC DEC ± -
ANGLES ± -

MATERIAL -
FINISH -
WEIGHT -

DR 02/07/92
B. MOYER
CHK 2-21-92
M. SNEED
APPD 2-21-92
R. HENRY
APPD 2-21-92
M. SNEED
PRODUCT SPEC -
APPLICATION SPEC -
WEIGHT -

AMP AMP Incorporated Harrisburg, PA 17105-3608		
NAME JACK, REAR MOUNTED, SERIES N		
SIZE B	CAGE CODE 00779	DRAWING NO 228658
SCALE 2:1	SHEET 1 OF 1	